

1

2

3

4

5

6

A

A

B

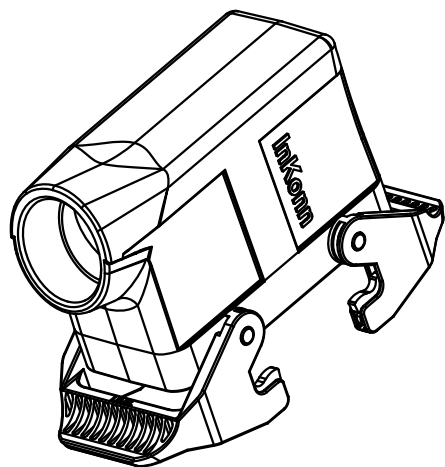
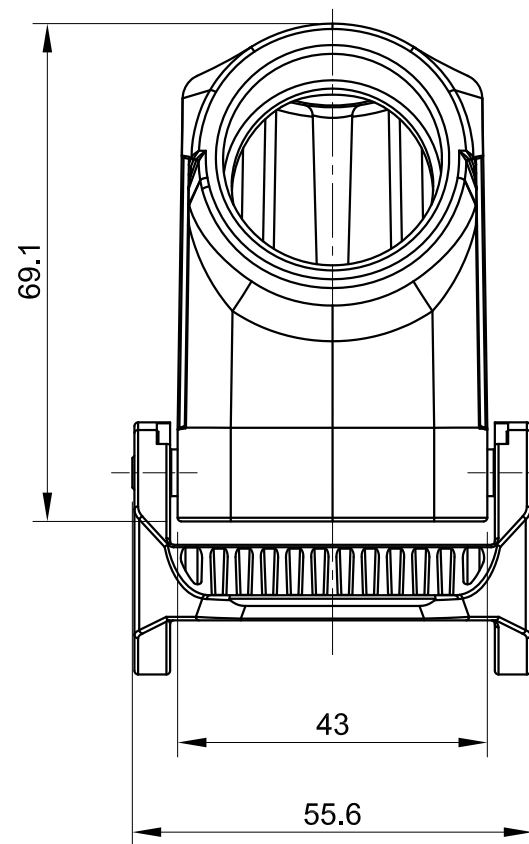
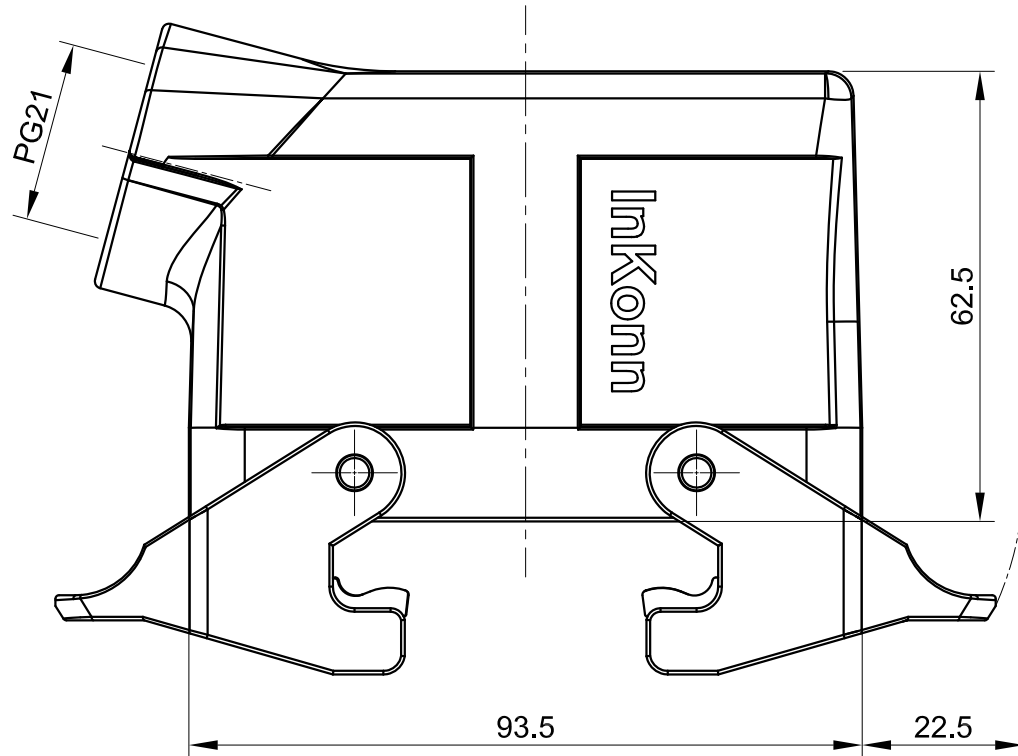
B



C

C

D

D



 All Dimensions in mm Original Size DIN A4	Date 2019-08-18	Drawing No. TC3672064	Rev. A00	Scale 1:1
	Part No. 10 11 816 0123	Created by Shuxu Huang	Checked by Yiyi Luo	Page 1/1
 InKonn® InKonn (Suzhou) Electric Technology Co.,Ltd.				
Type Name HB16-SE-DL-PG21				

1

2

3

4

5

6